

Cooker hob Professionale



Gas hobs

Code: 7243 062



DETAILS

Edge/Installation Type Flush-mount | Top-mount

Finish Foster brushed

Material AISI 304 stainless steel

Texture Brushed in line

Supply 220-240 V; 50/60 Hz

Dimensions 603x513 mm

Base size 60 cm

Heating element Four burners

Built-in hole [View technical data sheet](#)

Grids Cast iron grids and enamelled burner covers

Width 60 cm

Total power 8.000 W

Auxiliary 1.000 W

Semirapid 2 x 1.750 W

Triple crown 3.500 W

Safety Safety valve with quick-acting thermocouple

Ignition Electric ignition under knob

Gas type Tested for installation with natural gas, LPG nozzle set included.

Type Gas Hob

FEATURES

Cast iron grids Cast-iron is the ideal material for an hob grid, this due to the manifold properties characterising it: high heat capacity that improves cooking performance; high weight and stability that improve safety; sturdiness that preserves the hob's original aspect over time; easy cleaning.

Safe cooking All Foster cooker hobs are equipped with safety valves. They shut off the gas supply very quickly if the flame accidentally goes out.

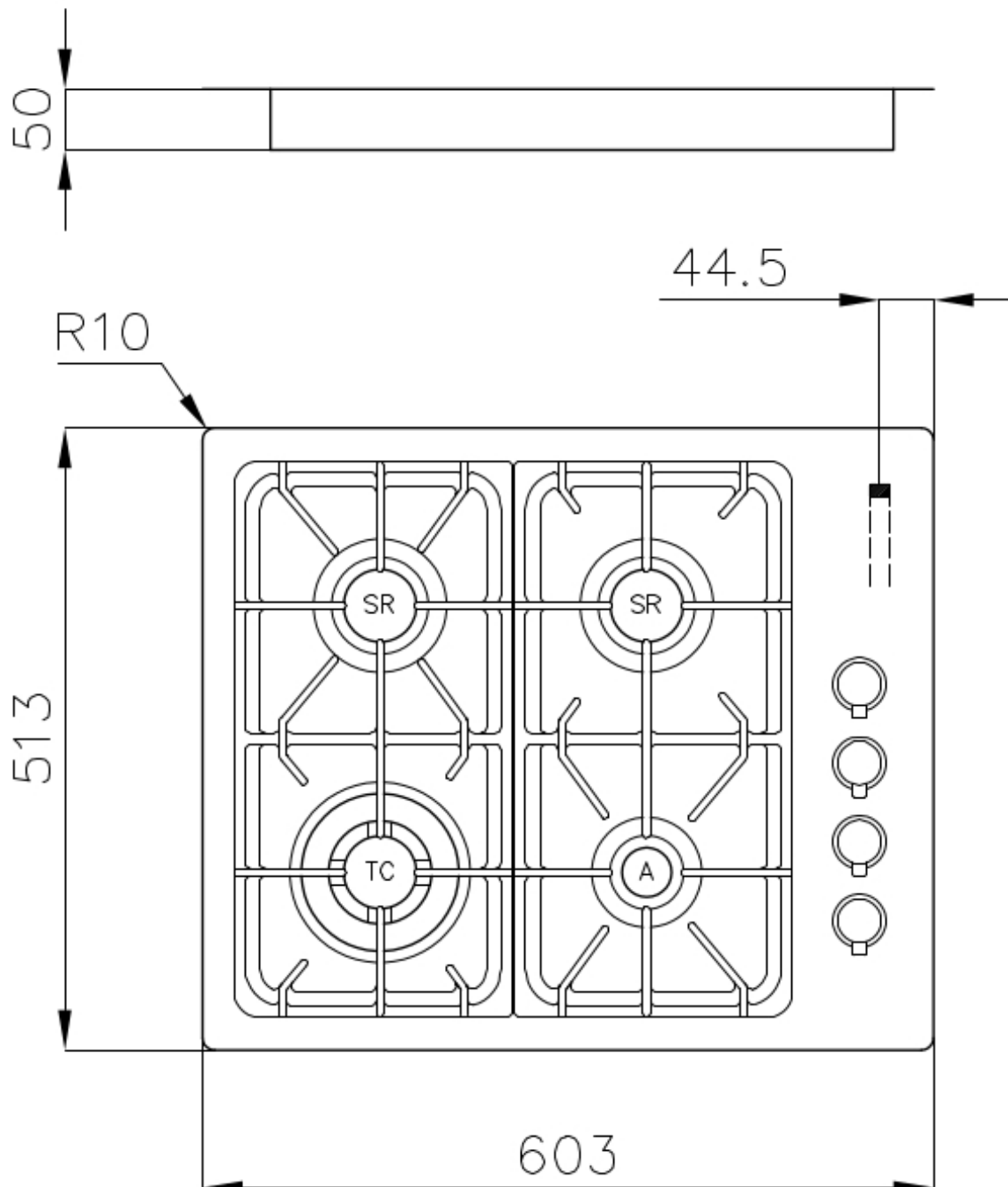
Special burners

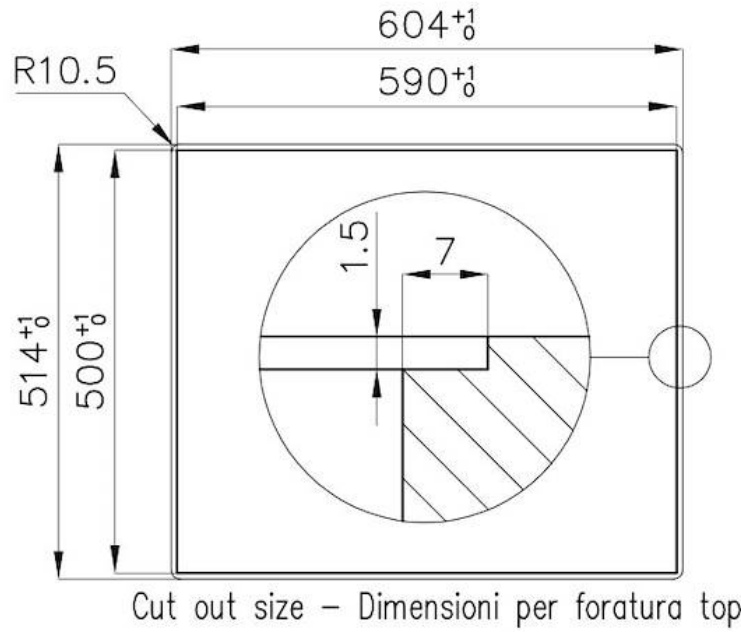
Many Foster hobs are equipped with special burners, with two or three rings of fire that greatly increase the power delivered and the heated surface. In the DUAL models the two fire crowns also have independent ignition, making these burners perfect for both intensive and delicate cooking.

Under-knob ignition

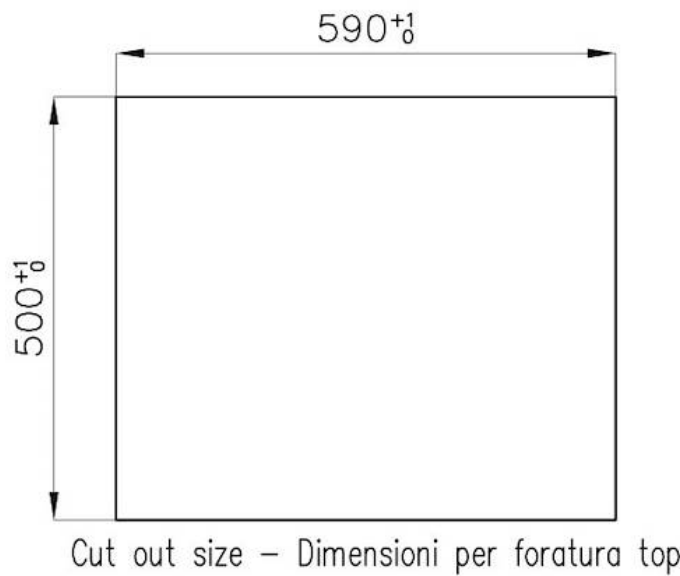
The utmost freedom of movement with electronic under-knob ignition, a common feature of all models that allows a one-hand ignition of the burner.

TECHNICAL DATA





FT



FTS

OPTIONAL ACCESSORIES



Cast iron wok support

9601 668